

Feature :


- Small size
- Bi-color LED illuminated available
- Good tactile feeling

Application :

- Consumer products
- Network products
- Instrumentation
- Communication equipments

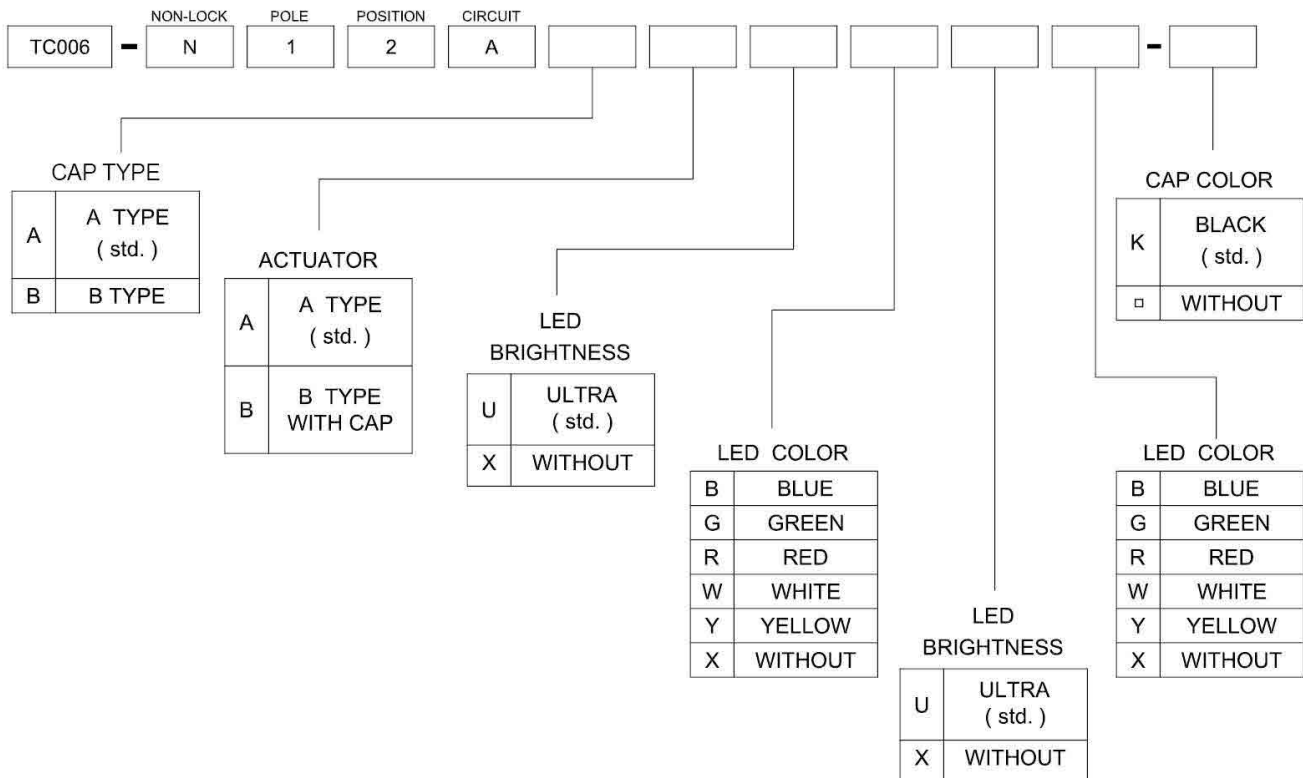


| SWITCH SPECIFICATIONS | |
|-----------------------------|---|
| POLE - POSITION | 1P2T , Right Angle Push on-on momentary Type , with or w/o LED are Available |
| RATING | POWER MIN. / MAX. : 0.02VA / 1.0VA CURRENT MIN. / MAX. : 0.1mA ~ 100mA VOLTAGE MIN. / MAX. : DC 20mV ~ DC 32V |
| CONTACT RESISTANCE | 250 mΩ max. 1.5 V DC ; 100 mA , by Method of Voltage DROP |
| INSULATION RESISTANCE | 100 MΩ min. 500 V DC |
| DIELECTRIC STRENGTH | Breakdown is not Allowable ; 250 V AC for 1 Minute |
| OPERATING FORCE | 400 ± 125 gf |
| OPERATING LIFE | 50,000 cycles |
| OPERATING TEMPERATURE RANGE | -40°C ~ 85°C |
| TOTAL TRAVEL | 2.0 mm MAX. |

| LED SPECIFICATIONS | | Value / LED Color | | | | | | |
|---|------|-------------------------------|------------|------|--------|--------|-------|-------|
| ATTENTION LEDs are Electrostatic Sensitive devices  | Unit | Blue | Pure Green | Red | Yellow | Orange | Green | White |
| | | LUMINOUS INTENSITY@20mA Iv | mcd | 1300 | 6500 | 1200 | 400 | 550 |
| Dominant Wavelength λD | nm | 470 | 525 | 635 | 590 | 601 | 570 | / |
| FORWARD VOLTAGE@20mA Vf | V | 3.3 | 3.3 | 1.95 | 2 | 2.1 | 2.1 | 4 |

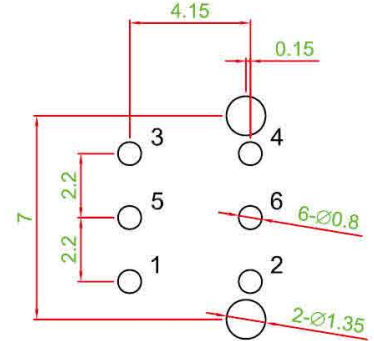
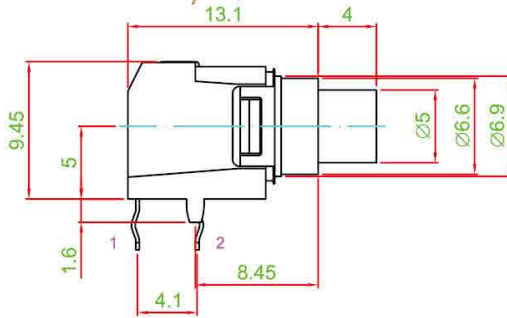
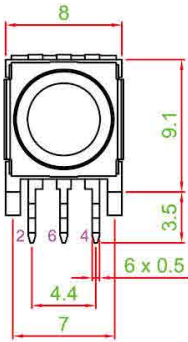
■ A single bin cannot be ordered, please contact us in advance if you need a particular bin sorting before placing your order to clarify the lead time, MOQ and pricing

HOW TO ORDER

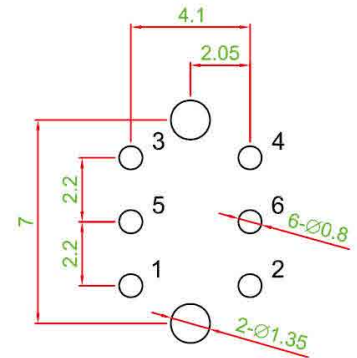
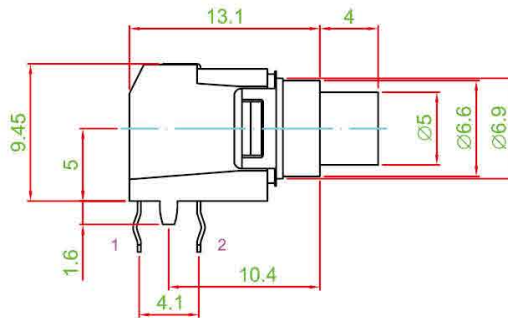
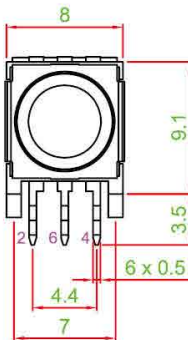


DIMENSION

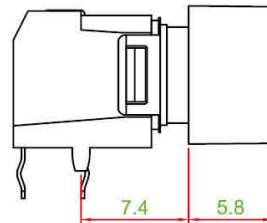
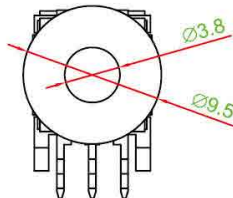
• TC006-N12AAA □□□□



• TC006-N12ABA □□□□



CAP TYPE



CIRCUIT

